

Specification sheet LX 849

Roof drainage systems Series 21 LORO-X VERSAL®

Main drainage

Siphonic flow

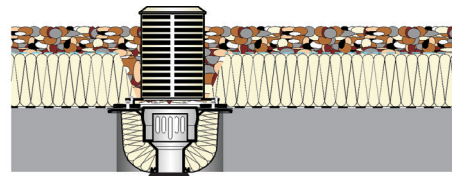
Silent Power

Discharge rate:	9,4 l/sec
Water height:	55 mm
Roof penetration:	-
Diameter:	DN 70
LX-Number:	LX 849
Weir height:	0 mm
Drain	ventilated
Downpipe:	not ventilated
Downpipe height:	4,2 m
Drainage:	in sewer
Flange form:	Clamping flange

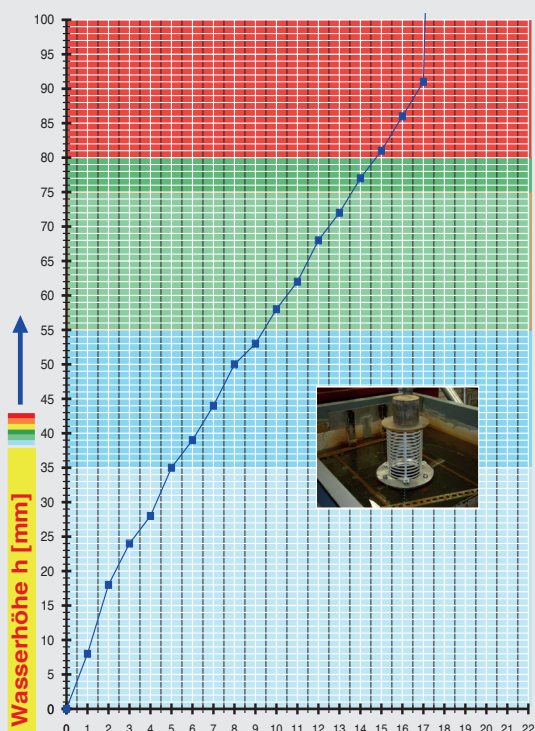
LX 849 Piece list

- 1 x Art.-No. choose drain on page two!
- 1 X Art.-No. 19495.070X LORO-Versal® Strainer unit
- 1 X Art.-No. 01401.070X, LORO-X Pipe with one socket
- 2 X Art.-No. 00350.070X, LORO-X Bends
- 1 X Art.-No. 01201.070X, LORO-X Pipe with one socket

- 1 X Art.-No. 01004.070X, LORO-X Pipe with one socket
- 1 X Art.-No. 05510.070X, LORO-X Stand pipe
- 6 X Art.-No. 00911.000X, LORO-X Sealing elements
- 3 x Art.-No. 00806.070X, LORO-X Anchor clips
- 1 X Art.-No. 00986.000X, LORO-X Lubricant

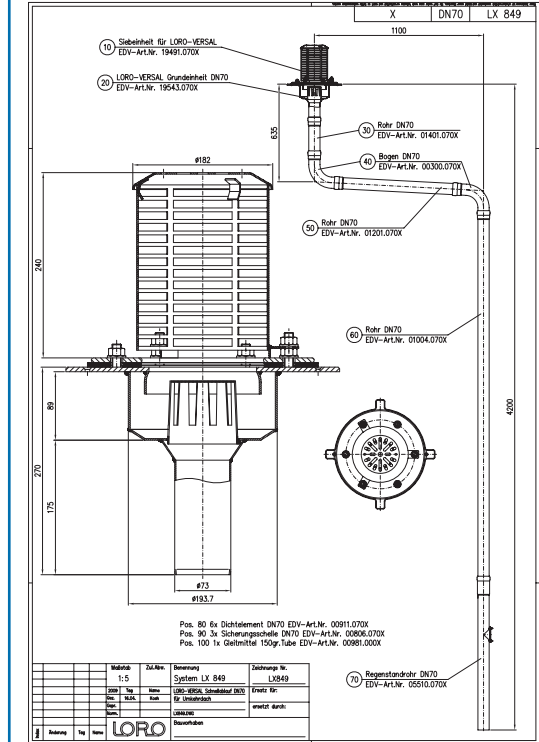


hQ - Head discharge curve



Systempower

CAD



Systemshape

Water height	mm	5	10	15	20	25	30	35	40	45	50	55	60	65	70	75
Discharge	l/sec		1,2	1,7	2,2	2,3	4,2	5	6,2	7,2	8	9,4	10,5	11,5	12,5	13,5
Silent Power																

LORO-X VERSAL[®] Siphonic drain, for inverted roofs

DN 70

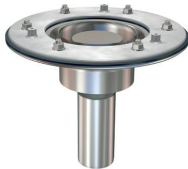
without thermal insulation

LX849-5X

Series 21

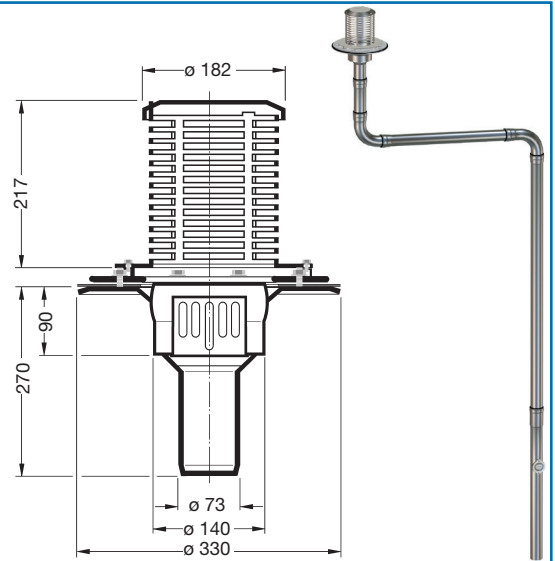
LORO-VERSAL[®] Siphonic drain base unit, with clamping flange **one-piece**

Art.-No. 19543.070X
Weight: 4,3 kg



LORO-VERSAL[®] Strainer unit for inverted roofs

Art.-Nr. 19495.070X
Weight: 1,4 kg



with thermal insulation

LX849-7X

Series 21

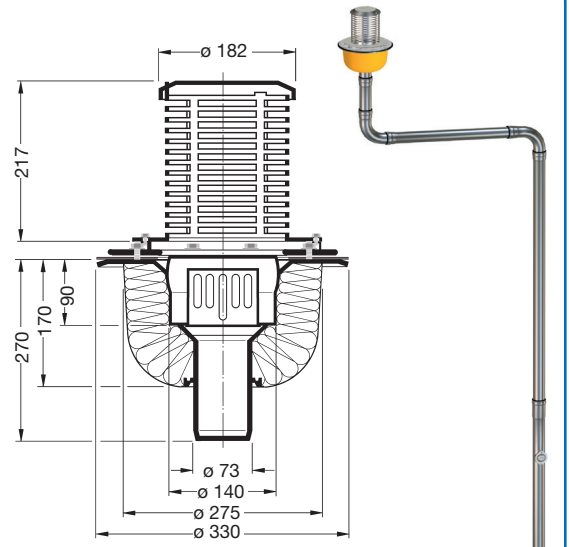
LORO-VERSAL[®] Siphonic drain base unit, with clamping flange **one-piece**

Art.-No. 19544.070X
Weight: 6,9 kg



LORO-VERSAL[®] Strainer unit for inverted roofs

Art.-No. 19495.070X
Weight: 1,4 kg



with thermal insulation and heating

LX849-9X

Series 21

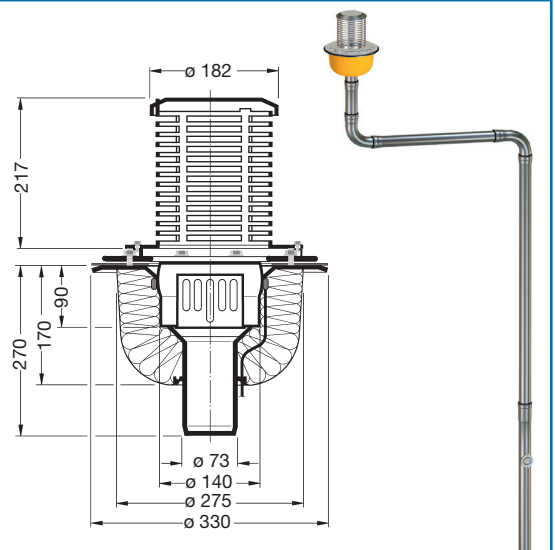
LORO-VERSAL[®] Siphonic drain base unit, with clamping flange **one-piece**

Art.-No. 19545.070X
Weight: 7,0 kg



LORO-VERSAL[®] Strainer unit for inverted roofs

Art.-No. 19495.070X
Weight: 1,4 kg



Heat tracing: Lorowerk recommends to check all drains and pipes with regard to their frost-sensibility. Where necessary, these parts should be upgraded with heat tracing.